

GHH-KL160 Stainless Steel Recessed Pull

Features

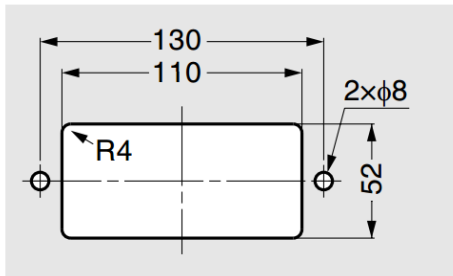
- All-metal material suitable for equipment with electromagnetic shielding requirements
- Compliant with SEMI standard (SEMI S8-0600)
- Use optional spacer GBSP-8 (sold separately) when installing to sheet metal

Parts Included

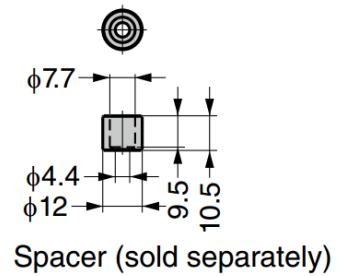
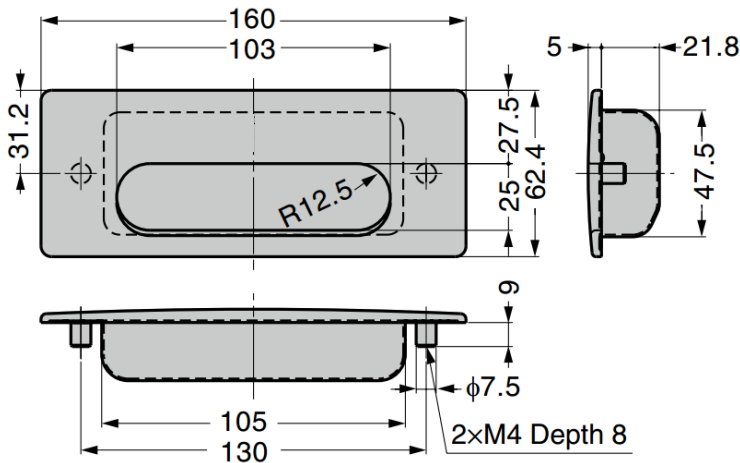
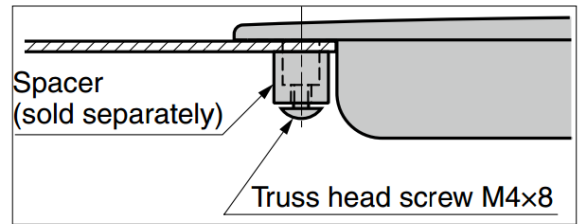
- Truss head screw M4 x 8 (SUS)



Cut Out Dimensions



Installation



No.	Part Name	Material	Finish
①	Pull	Stainless Steel (SCS13)	Satin
②	Cup	Stainless Steel (SUS304)	

※SCS13 is equivalent of SUS304.

Body

Part No.
GHH-KL160

Spacer (Sold Separately)

Part No.	Material	Finish
GBSP-8	Steel (SUM)	Coloured Zinc Chromate